

SonicSens 3

Ultrasonic Level Sensor

SonicSens 3 is an intrinsically safe level sensor developed for use in multiple applications, including sewer level monitoring.

Through the use of ultrasonic technology, SonicSens 3 avoids contact with its environment, reducing contamination and lowering maintenance requirements.

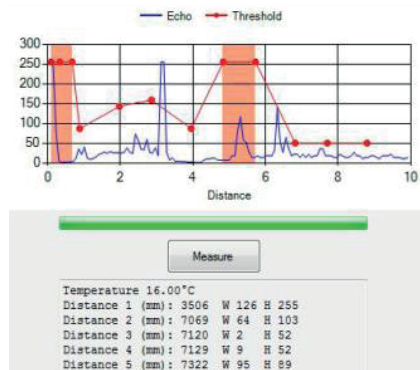
Compatible with multiple HWM telemetry data loggers, SonicSens 3 is the ideal solution for remote and challenging installations.



Key Features and Benefits

- **Intelligent sensor:** compatible with HWM telemetry data loggers, benefitting from the latest alarm, reporting and dial-in features
- **Dependable:** the logger will send an alarm if measurements are not possible
- **Flexible range:** two variants available covering ranges of 200mm-6m and 300mm-10m
- **Long battery life:** 5 years at 15 minute sample rate
- **Simple installation:** multiple pre-set options in software, including automatic level/flow conversion
- **Fully waterproof:** unit is rated IP68
- **Power options:** unit powered by logger, external battery pack available to extend system life and support more frequent call-in
- **Unwanted echo filter:** logger can be set up via PC IDT software to ignore unwanted echoes such as ladder rungs, supporting deployment in challenging installation sites
- **Certification:** certified for use in Zone 0 hazardous areas: Intertek ITS19ATEX205070X & IECEX ITS 19.0030X Ex ia IIC T4 Ga (-20°C ≤ Ta ≤ +60°C)

Unwanted Echo Filtering



Applications

The sensor capabilities of the SonicSens 3 makes it the ideal sensor in many different applications, including:

- CSO monitoring
- incident prevention, blockage monitoring
- reservoir levels
- combined with velocity sensors for flow monitoring
- level to flow conversion for flumes and weirs

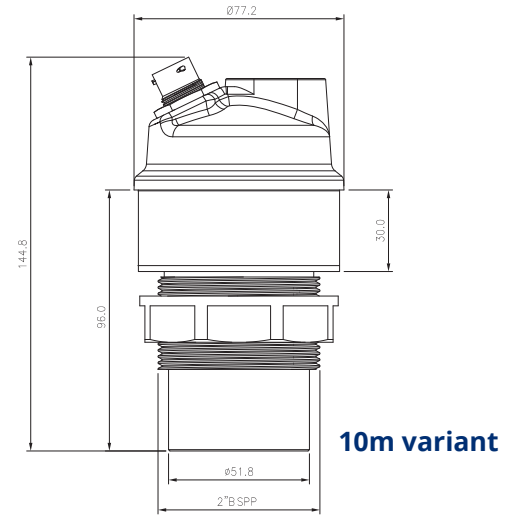
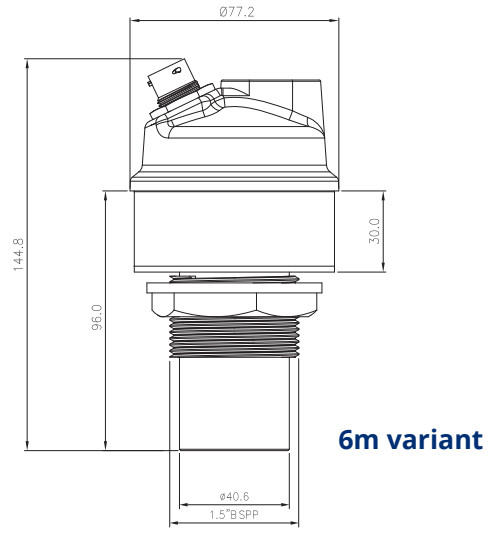
Deployment of SonicSens 3 on complex sites is made possible by the advanced 'unwanted echo' filtering capabilities as well as flexible battery options that extend life and increase dial-in.

SonicSens 3

Ultrasonic Level Sensor

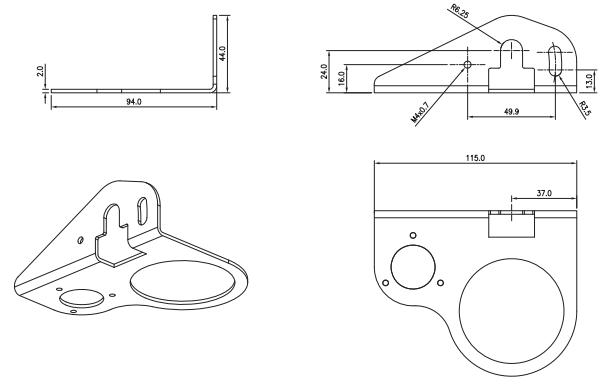
Ultrasonic Sensor

Ultrasonic Measurement	Measurement Range: 200mm to 6m, or 300mm to 10m
	Resolution 1mm (1/25"). Built in temperature compensation
	Accuracy in air: ±0.2% @ 3m (6m sensor) ±0.1% @ 6m (10m sensor) ±0.1% @ 10m (10m sensor)
	Beam Angle: 10° at -3dB boundary
	Operating Temperature: -20 to +60°C (-5 to +140°F)
Rating	Unwanted echo (obstruction) filtering ATEX/IEC certified to Zone 0
Construction	Potted PVDF plastic enclosure, IP68 submersible, stainless steel 316 brackets
Connection	Serial communications, powered from logger
Power Management	>5 years battery life at 15 minute sample rate, Accelerated sampling on alarm available and alarm triggered
Dimensions	145H x 78D (mm)
Weight	700g



Data Logger

Measurement Interval	Down to 30 seconds
Software	Configurable using PC IDT software Configuration of obstruction (unwanted echoes) filtering for difficult installations
Power	Replaceable external power source available



All images, text and designs are protected by international and UK copyright law and remain the property of HWM. It is against the law to copy or use any of the content from HWM website or literature without the written consent of HWM. HWM Ltd. reserve the right to vary the specification.



HWM Water Limited

Ty Coch House
Llantarnam Park Way
Cwmbran
NP44 3AW
United Kingdom

Tel: +44 (0) 1633 489 479
Fax: +44 (0) 1633 877 857
Email: sales@hwm-water.com
Web: www.hwmglobal.com

MONITORING ASSETS, DELIVERING DATA, BRINGING CONTROL