

Intelligens WW

ATEX Certified Data Logger

Intelligens WW is a truly flexible data logger specifically engineered for the rigours of waste water applications.

Intrinsically safe and built for compatibility, the versatile Intelligens logger can be tailored to meet a variety of specific user needs.

Intelligens WW is safe for use in explosive environments, and as such, is an ideal logging solution in combined sewer overflows, general sewer monitoring, storm drains, storage tanks and flood warning systems.

Key Features and Benefits

- **Certification:** certified for use in Zone 0 hazardous areas: Intertek ITS19ATEX205070X & IECEx ITS 19.0030X Ex ia IIC T4 Ga (-20°C ≤ Ta ≤ +60°C)
- **Remote communications:** data transmitted using GPRS and 3G telemetry (optional). Unit can also be remotely programmed
- **Flexible sensor integration:** Intelligens is compatible with a wide variety of sensors and inputs
- **Online data delivery and viewing:** compatible with DataGate and HWM Online
- **Intelligent:** unit includes advanced data logging and alarm regimes
- **Long-term monitoring:** typical 5+ year battery life
- **Fully waterproof:** unit is rated IP68, making it waterproof when submerged
- **Easy maintenance:** user replaceable SIM and battery, along with notifications of system health
- **Anti-corrosion:** plastic connectors ensure unit is not susceptible to corrosion
- **Upgradable:** unit can be configured, and its firmware upgraded remotely



Applications

Intelligens WW is truly flexible, making it the ideal data logger for hazardous utility network applications. Compatibility with ESI and ESIB accessories means that a variety of different sensors can be deployed.

Intrinsically safe for use in explosive environments (ATEX/IEC Ex Zone 0), Intelligens is designed to be both unsusceptible to corrosion and fully waterproof.

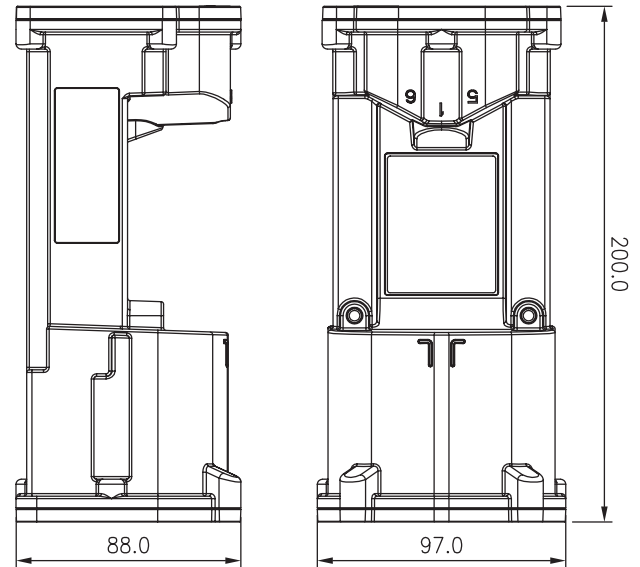
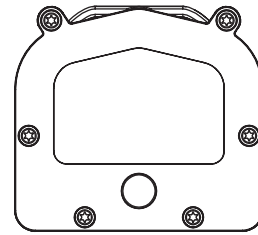
Remote communications and a long-life battery make Intelligens perfectly suited to 'fit and forget' applications in remote or hard to access locations.

Intelligens WW

ATEX Certified Data Logger

Logger Features

Rating	ATEX/IEC certified to Zone 0
Memory	Up to 2 million readings
Firmware	Safe local and remote upgradable firmware
Sampling rate	Variable sample rate 1s to 24hrs, accelerating on alarm
Alarms logger ID	Multiple Lower/Upper Limit, Min Flow, Rate of Change, Channel Difference, In/Out of Band alarm types. Accelerated dial-in on alarm.
Secondary channel	Log fast data, average minimum, average maximum or event duration
Dimensions (mm)	200H x 97W x 88D
Weight	1kg
Operating temp.	-20 to +60°C (-5 to +140°F)
Ingress protection	IP68
Power	User replaceable battery pack operational for 5+ years under standard operating conditions, complete with low battery alarm. External power option available with a sustainable ATEX certified power source



Communication

Internal cellular modem	GPRS to HWM DataGate or customer specific server. SMS backup. 4G NBloT. LTE-M (Cat-M1) available on request
Accelerated dial-in	Dial-in rate is increased if alarm situation is triggered. Logger can accelerate dial-in at alarm level for multiple applications - including SonicSens, Flow, Pressure and other alarmed sensors

Sensor Input

mV	Example: pressure sensor for level measurement
Serial Digital Interface	Modbus SDI12 and RS232
4-20 mA	Example: mems tils transmitter, radar sensor
Digital	Example: float switch, rain gauge
Level Sensor	Ultrasonic level detection using HWM SonicSens

Control Output ports

Digital	2 independent configurable outputs
---------	------------------------------------



All images, text and designs are protected by international and UK copyright law and remain the property of HWM. It is against the law to copy or use any of the content from HWM website or literature without the written consent of HWM. HWM Ltd. reserve the right to vary the specification.



HWM Water Limited

Ty Coch House
Llantarnam Park Way
Cwmbran
NP44 3AW
United Kingdom

Tel: +44 (0) 1633 489 479
Fax: +44 (0) 1633 877 857
Email: sales@hwm-water.com
Web: www.hwmglobal.com

MONITORING ASSETS, DELIVERING DATA, BRINGING CONTROL